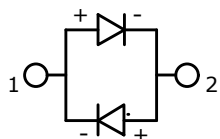
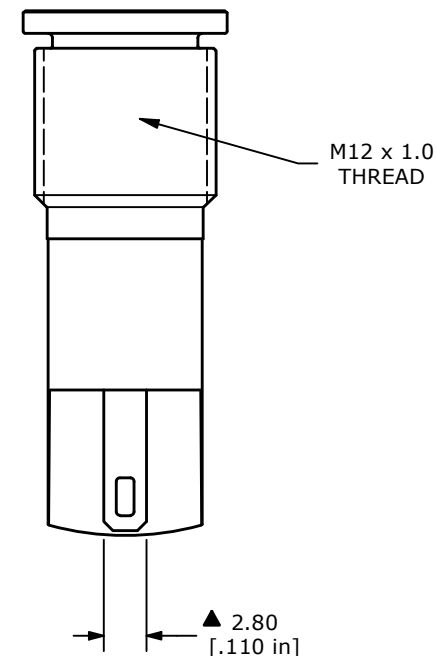
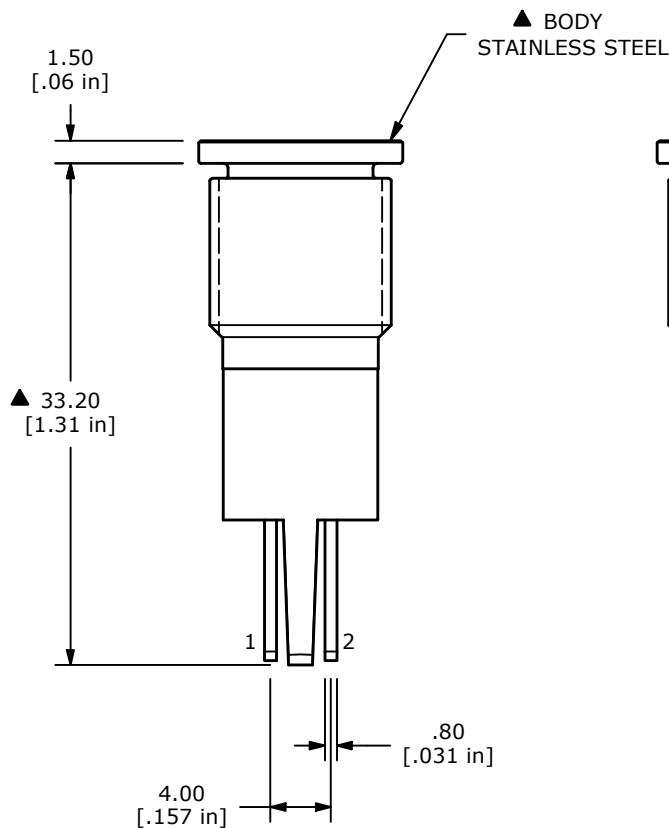
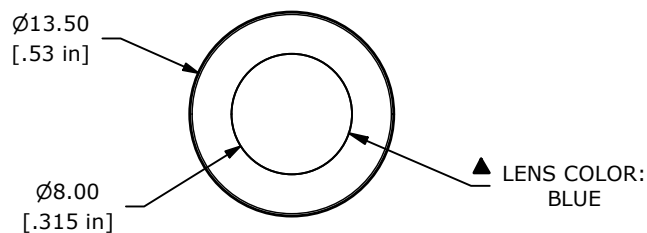


RECOMMENDED
PANEL MOUNTING
1-6mm THICKNESS



LED SCHEMATIC

- NOTE:
1. ALL DIMENSIONS IN MM [INCH]
 2. GENERAL TOLERANCE: X.X = ±0.4
X.XX = ±0.25
 3. TERMINAL NUMBERS FOR REF ONLY
 4. OPERATING TEMP: -25°C to 55°C
 5. CURRENT RATING: 2mA-20mA
 - ▲ 6. LAMP VOLTAGE: 12V
 7. IP RATING: IP67
 8. ▲ DENOTES CRITICAL PARAMETER.
 9. HARDWARE SUPPLIED: O-RING AND HEXNUT



TITLE PVL12FLS44				
SCALE 2:1	DATE 5/22/2020	DR MW	DWG 52-PVL12FLS44	REV A

A	24320	Release	5/22/20	MW
REV	PCR NO	DESCRIPTION	DATE	BY

THE INFORMATION CONTAINED IN THIS DOCUMENT IS PROPRIETARY TO E-SWITCH AND IS NOT TO BE COPIED OR TRANSFERRED